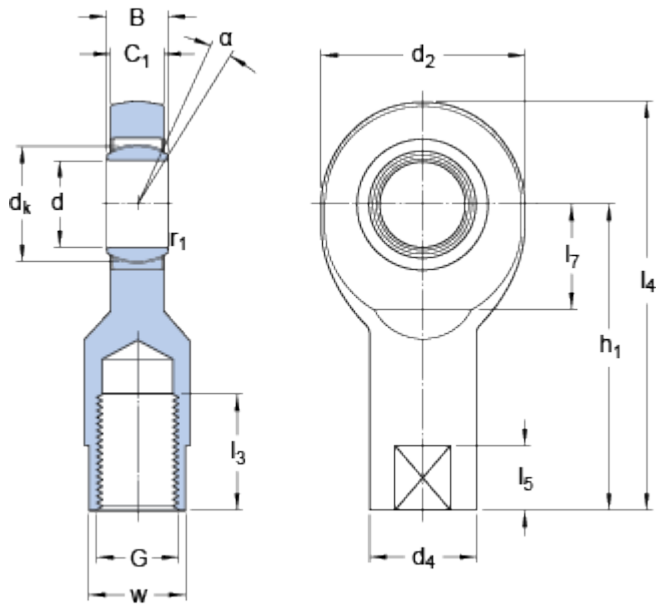


SI 20 C

Dimensions



d		20	mm
d ₂	max.	54	mm
B		16	mm
G	6H	M 20x1.5	
C ₁	max.	13.5	mm
h ₁		77	mm
α		9	°
d _k		29	mm
d ₄	≈	28	mm
l ₃	min.	30	mm
l ₄	max.	106	mm
l ₅	≈	16	mm
l ₇	min.	24	mm
w	h14	24	mm
r ₁	min.	0.3	mm

Calculation data

Basic dynamic load rating	C	31.5	kN
Basic static load rating	C ₀	57	kN
Specific dynamic load factor	K	100	N/mm ²
Material constant	K _M	1400	

Mass

Mass rod end	0.35	kg
--------------	------	----